

BEXAR COUNTY FORENSIC SCIENCE CENTER

ANNUAL REPORT

1990



VINCENT J.M. DI MAIO, M.D.

CHIEF MEDICAL EXAMINER

DIRECTOR, CRIMINAL INVESTIGATION LABORATORY

SAN ANTONIO, TEXAS

BEXAR COUNTY FORENSIC SCIENCE CENTER
STAFF 1990

Vincent J.M. Di Maio, M.D.	Chief Medical Examiner
Suzanna E. Dana, M.D.	Deputy Chief Medical Examiner
Robert C. Bux, M.D.	Medical Examiner
Eduardo Caballero, M.D.	Fellow, Jan 1 - June 30
John Scott Somerset, M.D.	Fellow, July 1 - Dec 31

Patricia Hitch	Administrator
Rosemarie Mueller	Statistician
Cecilia DeLeon	Medical Secretary
Priscilla Fragoso	Medical Secretary
Wanda Beale	Receptionist
Dora Martinez	Toxicology Secretary
Linda Delgado	Evidence Receipt Clerk

James C. Garriott, Ph.D.	Chief Toxicologist
Joe L. Castorena	Asst. Chief Toxicologist
Loretta A. Rosales	Toxicological Chemist II
Sylvia Paz	Toxicological Chemist I
Larry A. Ytuarte	Toxicological Chemist II
Robert Rodriguez	Toxicological Chemist III
James E. Bousser	Drug Analyst Supervisor
Jeffery Todd	Drug Analyst Chemist I

John Raymond	Chief Diener
Danny Guzman	Diener
Martin Castillo	Diener
Harold E. Brooks	Diener
Sonja Bustamante	Histologist (Part-time)

Frank Castillon	Chief Medical Investigator
Jeffrey Francis	Medical Investigator
Gary Biggs	Medical Investigator
Perry Clifton	Medical Investigator
Jerry Leyva	Medical Investigator
Frank Tovar, Jr.	Medical Investigator
Eva Hickman	Medical Investigator

Fred Zain	Chief Serologist
Henry Hollyday III	DNA Technician
Richard Stengel	Firearms Examiner
Ronald Dodson	Criminalist II
Marvin Morgan	Document Examiner

ANNUAL REPORT 1988-1989-1990

	<u>1988</u>	<u>1989</u>	<u>1990</u>
TOTAL NUMBER OF CASES INVESTIGATED.....	4258	4440	4461
CASES ACCEPTED.....	1681	1747	1653
AUTOPSIES.....	1046	1063	1048
INSPECTIONS.....	583	644	563
DEATH CERTIFICATES ONLY.....	52	40	42
SCENE INVESTIGATIONS.....	350	348	342
CREMATION CERTIFICATES ISSUED.....	774	871	981
STORAGE CASES.....	77	68	59
TOTAL X-RAYS TAKEN.....	1261	1218	1584

SUMMARY OF MEDICAL EXAMINER CASES

1990

	<u>Total cases</u>	<u>Number Autopsied</u>	<u>Percentage Autopsied</u>
Homicides	327 (19.8%)	327	100%
Suicides	192 (11.6%)	128	67%
Accidents	310 (18.8%)	264	85%
Naturals	786 (47.5%)	291	37%
Undetermined	33 (2.0%)	33	100%
Unclassified	<u>5</u> (0.3%)	<u>5</u>	<u>100%</u>
TOTAL	1653 100%	1048	63%

1989

Homicides	270 (15.5%)	268	99%
Suicides	184 (10.5%)	132	72%
Accidents	388 (22.2%)	314	81%
Naturals	868 (49.7%)	313	36%
Undetermined	33 (1.9%)	33	100%
Unclassified	<u>4</u> (0.2%)	<u>3</u>	<u>75%</u>
TOTAL	1747 100%	1063	61%

1988

Homicides	244 (14.5%)	244	100%
Suicides	204 (12.1%)	139	68%
Accidents	393 (23.4%)	301	76%
Naturals	787 (46.9%)	310	39%
Undetermined	44 (2.6%)	43	97%
Unclassified	<u>9</u> (0.5%)	<u>9</u>	<u>100%</u>
TOTAL	1681 100%	1046	62%

MANNER OF DEATH IN "DEATH CERTIFICATE ONLY" CASES*

	<u>1988</u>	<u>1989</u>	<u>1990</u>
Accidents.....	41	28	22
Homicides.....	1	2	0
Naturals.....	10	10	19
Undetermined.....	0	0	0
Unclassified.....	<u>0</u>	<u>0</u>	<u>1</u>
TOTAL	52	40	42

*These are medical examiner cases not initially reported but detected when the death certificates were filed with the Bureau of Vital Statistics.

OUT-OF-COUNTY / FEE-FOR-SERVICE CASES

	<u>OUT-OF-COUNTY</u>	<u>FEE-FOR-SERVICE</u>	<u>TOTAL</u>
1988	116	8	124
1989	143	6	149
1990	180	5	185

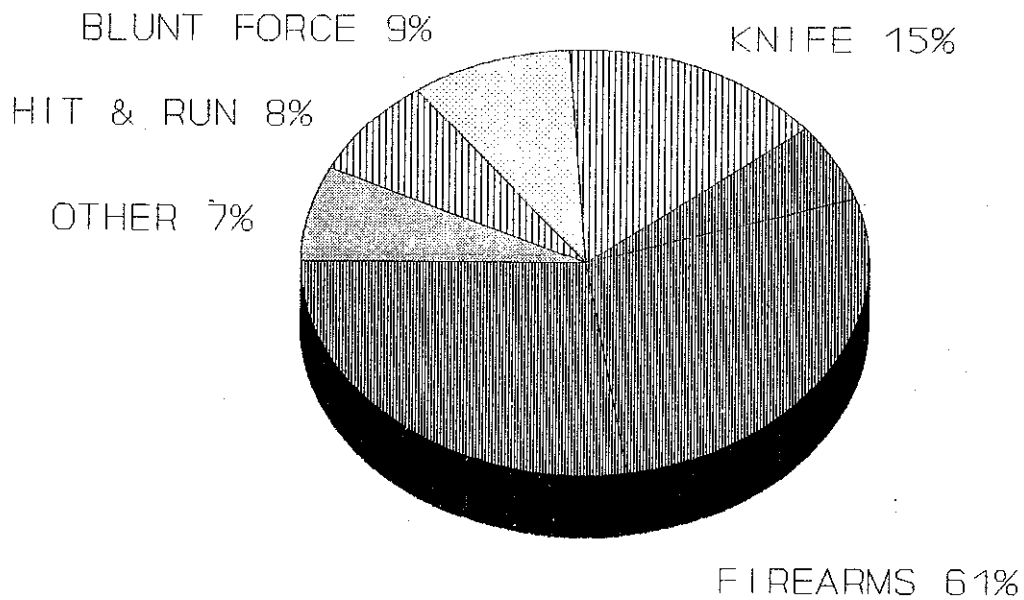
MANNER OF DEATH: (OUT-OF-COUNTY)

	<u>1988</u>	<u>1989</u>	<u>1990</u>
Homicides.....	36	54	67
Suicides.....	19	22	28
Accidents.....	28	29	32
Naturals.....	23	35	46
Undetermined.....	9	3	7
Unclassified.....	<u>1</u>	<u>0</u>	<u>0</u>
TOTAL	116	143	180

HOMICIDES IN BEXAR COUNTY

METHOD

Firearms	156
Knife	40
Blunt Force	24
Hit & Run	20
Burns	3
Asphyxia	11
Undetermined	2
Other*	<u>3</u>
TOTAL	259



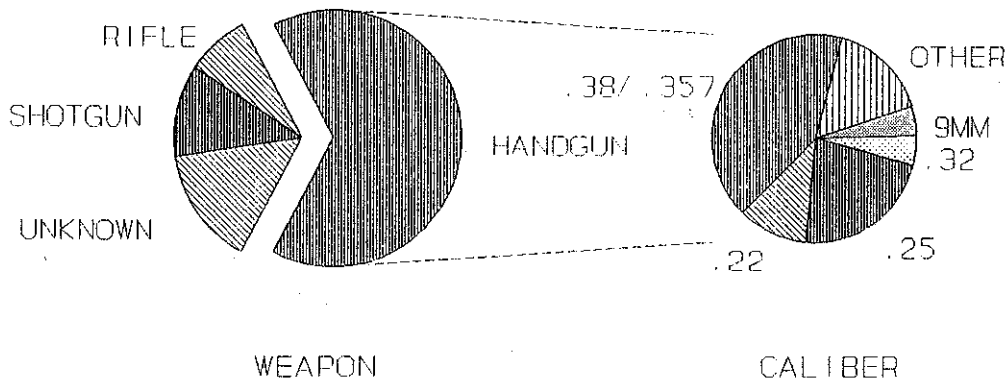
* One manual strangulation and blunt trauma, two craniocerebral injuries and stab wounds, and one ruptured berry aneurysm.

HOMICIDES BY FIREARMS

TYPE OF WEAPON

Handgun	108
Rifle	
Centerfire	4
Rimfire	10
Shotgun	18
Unknown	<u>25</u>
TOTAL	165*

*More than one weapon was used in several cases.



CALIBER OF HANDGUNS

PLACE OF DEATH

.38/.357	45	Residence	57
.22	12	Street/Sidewalk	36
.25	24	Bar/Lounge	7
.32	5	Parking Lot	20
9 mm	5	Building	12
.45 ACP	5	Field (Rural area)	10
.44	3	Inside vehicle	<u>14</u>
.380 ACP	<u>9</u>	TOTAL	156
TOTAL	108		

HOMICIDES BY AGE, RACE, SEX

<u>SEX</u>		<u>RACE</u>	
Male	210	White	227
Female	<u>49</u>	Black	31
TOTAL	259	Oriental	<u>1</u>
		TOTAL	259

<u>AGE</u>	
0-5	9
6-10	1
11-15	6
16-19	27
20-29	65
30-39	70
40-49	51
50-59	9
60-69	7
70-79	9
80-89	2
90-99	0
Unknown	<u>3</u>
TOTAL	259

BLOOD ALCOHOL CONCENTRATIONS OF HOMICIDE VICTIMS

TOTAL CASES	259
TOTAL TESTED	249

Blood Alcohol (g/dL)

NEGATIVE	98
.01-.049	34
.05-.099	27
.10-.149	34
.15-.199	19
.20-.249	19
.25-.299	12
.30 & up	<u>6</u>
TOTAL	249

NUMBER AND PERCENTAGES OF INDIVIDUALS LEGALLY INTOXICATED

(0.10 g/dL or greater)

1990.....90 (34.7%)

CHILD HOMICIDES: AGES 0-5 YEARS

RACE/SEX

W/M	6
W/F	1
B/M	0
B/F	<u>2</u>
TOTAL	9

METHOD

Craniocerebral injuries	1
Multiple injuries	0
Blunt Force	4
Burns	0
Stab wound	0
Asphyxia	1
Gunshot wound(s)	1
Hit and run	<u>2</u>
TOTAL	9

SUDDEN INFANT DEATH SYNDROME

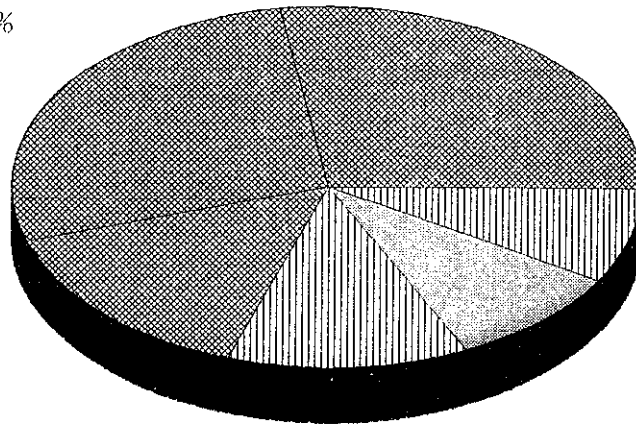
<u>RACE</u>		<u>SEX</u>	
White	10	Male	6
Black	<u>2</u>	Female	<u>6</u>
TOTAL	12	TOTAL	12

SUICIDES IN BEXAR COUNTY

METHOD

Firearms	114
Drugs/Chemicals	20
Hanging	15
Carbon Monoxide	3
Jumping	4
Fire	2
Knife	3
Asphyxia	1
Other	1
TOTAL	163

FIREARMS 70%



OTHER 9%

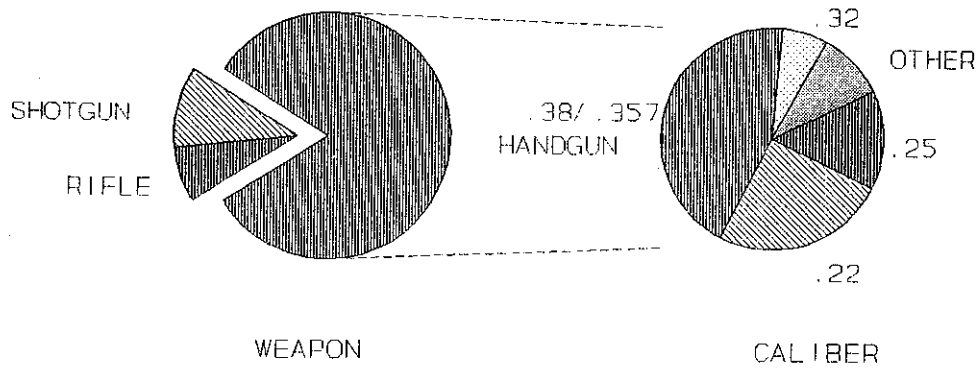
HANGING 9%

DRUGS/CHEMICALS 12%

SUICIDES BY FIREARMS

TYPE OF WEAPON

Handgun	93
Rifle	
Centerfire	3
Rimfire	5
Shotgun	12
Unknown	<u>1</u>
TOTAL	114



CALIBER OF HANDGUNS

.38/.357	40
.22	23
.32	6
.25	13
.41/.44	4
.45	3
9mm	2
.380 ACP	<u>2</u>
TOTAL	93

PLACE OF DEATH

Residence	96
Inside vehicle	5
Parking lot	1
Field (Rural area)	6
Building	3
Street/Sidewalk	<u>3</u>
TOTAL	114

SUICIDES BY AGE, RACE, SEX

<u>SEX</u>		<u>RACE</u>	
Male	129	White	154
Female	<u>34</u>	Black	8
TOTAL	163	Oriental	<u>1</u>
		TOTAL	163

AGE

<15	1
15-19	16
20-29	38
30-39	30
40-49	28
50-59	12
60-69	15
70-79	15
80-89	<u>8</u>
TOTAL	163

BLOOD ALCOHOL CONCENTRATIONS OF SUICIDE VICTIMS

TOTAL CASES	163
TOTAL TESTED	160

Blood Alcohol (g/dL)

NEGATIVE	90
.01 - .049	20
.05 - .099	18
.10 - .149	7
.15 - .199	6
.20 - .249	7
.25 - .299	4
.30 +	<u>8</u>
TOTAL	160

NUMBER AND PERCENTAGE OF INDIVIDUALS LEGALLY INTOXICATED

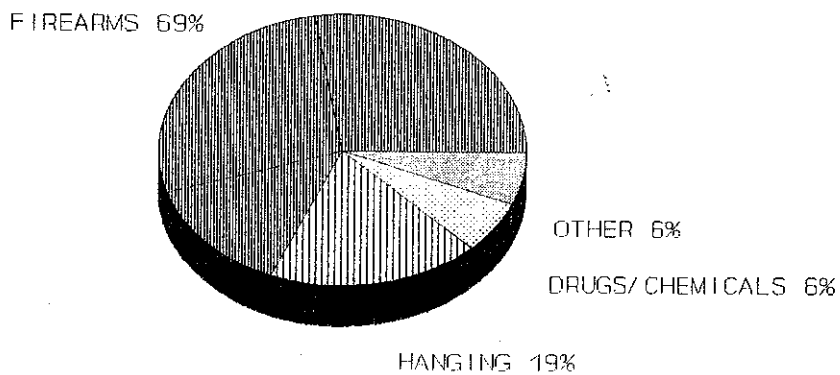
(0.10 g/dL or greater)

1990.....32 (19.8%)

TEENAGE SUICIDES

METHOD

Firearms	12
Hanging	3
Drugs	1
Other	<u>1</u>
TOTAL	17



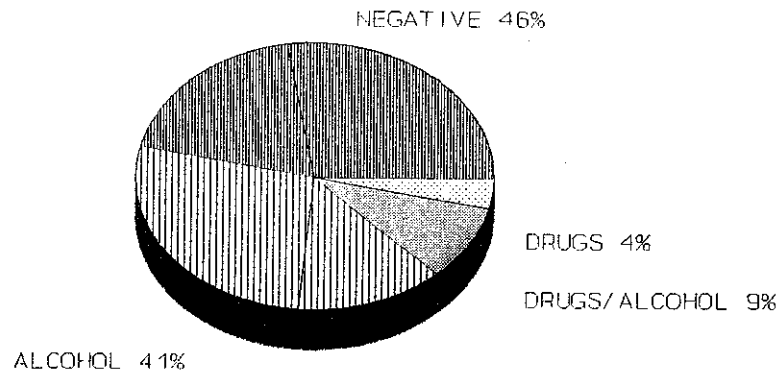
RACE

White	16
Black	1
Oriental	<u>0</u>
TOTAL	17

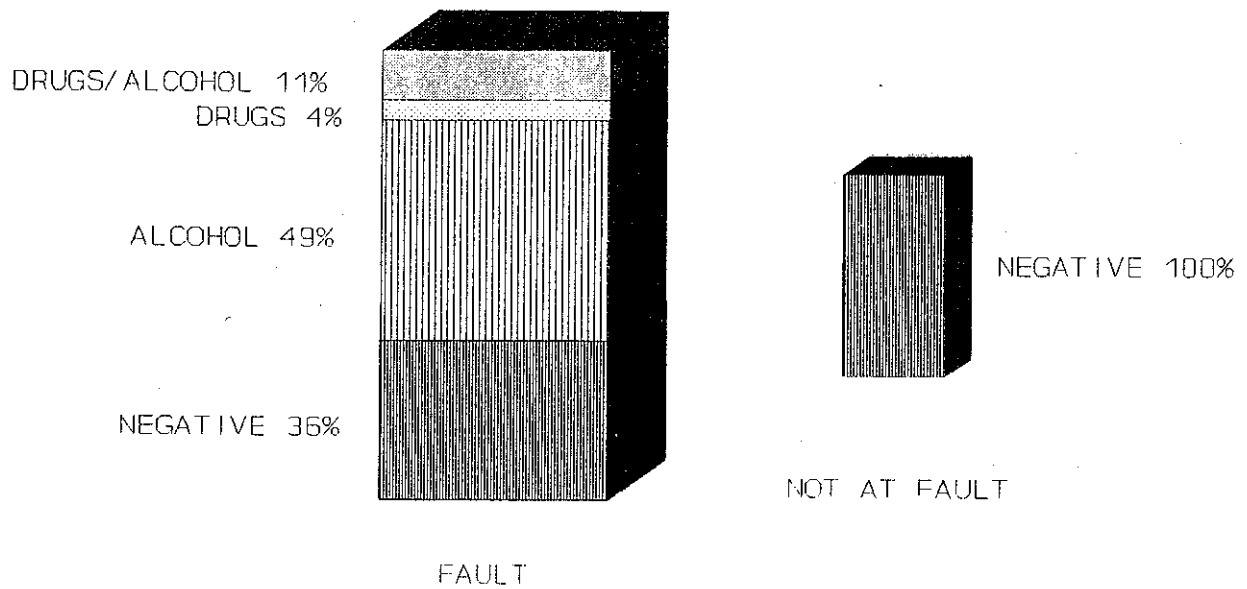
SEX

Male	14
Female	<u>3</u>
TOTAL	17

MOTOR VEHICLE DRIVERS ALCOHOL LEVELS 1990



DRIVERS AT FAULT AND NOT AT FAULT



MOTOR VEHICLE FATALITIES IN BEXAR COUNTY

DRIVERS AT FAULT

TOTAL CASES	46
TOTAL TESTED	45
NO ALCOHOL	16
POSITIVE FOR ALCOHOL	22
DRUGS ONLY	2
DRUGS AND ALCOHOL	<u>5</u>
TOTAL	45

ALCOHOL (g/dL)

< .05	2
.05-.099	0
.10-.199	7
.20-.299	18
.30 +	<u>0</u>
TOTAL	27

SEX

Male	35
Female	<u>11</u>
TOTAL	46

SEATBELT USE

<u>YES</u>	<u>NO</u>	<u>UNKNOWN</u>	<u>TOTAL</u>
8	28	10	46

DRIVERS NOT AT FAULT

TOTAL CASES	10
TOTAL TESTED	9
NO ALCOHOL	9
POSITIVE FOR ALCOHOL	0
DRUGS ONLY	0
DRUGS AND ALCOHOL	<u>0</u>
TOTAL	9

ALCOHOL (g/dL)

< .05	0
.05-.099	0
.10-.199	0
.20-.299	0
.30 +	<u>0</u>
TOTAL	0

SEX

Male	6
Female	<u>4</u>
TOTAL	10

SEATBELT USE

<u>YES</u>	<u>NO</u>	<u>UNKNOWN</u>	<u>TOTAL</u>
3	5	2	10

MOTORCYCLE OPERATORS

OPERATORS AT FAULT

TOTAL CASES	5
TOTAL TESTED	5
NO ALCOHOL	1
POSITIVE FOR ALCOHOL	4
DRUGS ONLY	0
DRUGS AND ALCOHOL	<u>0</u>
TOTAL	5

ALCOHOL (g/dL)

< .05	0
.05-.099	2
.10-.199	2
.20-.299	0
.30 +	<u>0</u>
TOTAL	4

SEX

Male	5
Female	0
TOTAL	5

HELMET USE

<u>YES</u>	<u>NO</u>	<u>UNKNOWN</u>	<u>TOTAL</u>
3	2	0	5

OPERATORS NOT AT FAULT

TOTAL CASES	2
TOTAL TESTED	2
NO ALCOHOL	1
POSITIVE FOR ALCOHOL	1
DRUGS ONLY	0
DRUGS AND ALCOHOL	<u>0</u>
TOTAL	2

ALCOHOL (g/dL)

< .05	0
.05-.099	0
.10-.199	1
.20-.299	0
.30 +	<u>0</u>
TOTAL	1

SEX

Male	2
Female	0
TOTAL	2

HELMET USE

<u>YES</u>	<u>NO</u>	<u>UNKNOWN</u>	<u>TOTAL</u>
5	2	0	7

PEDESTRIANS

SEX

Male	29
Female	<u>8</u>
TOTAL	37

ALCOHOL (g/dL)

NO TESTS PERFORMED	3
NO ALCOHOL	19
< .05	1
.05-.099	1
.10-.199	3
.20-.299	9
.30 +	<u>1</u>
TOTAL	37

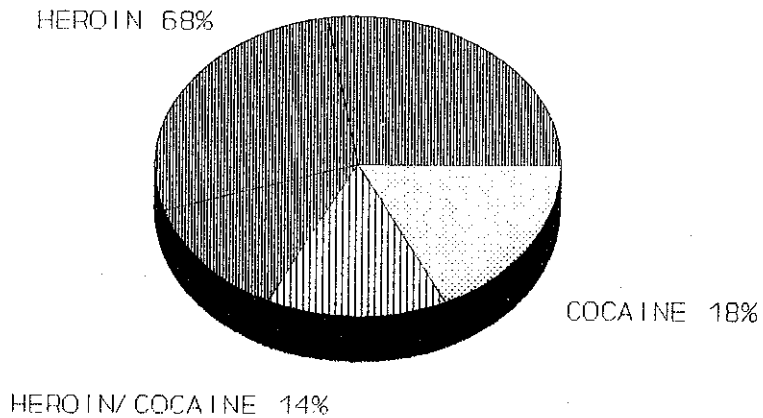
AGE

0-5	2
6-10	3
11-15	2
16-19	4
20-29	5
30-39	2
40-49	6
50-59	6
60-69	3
70-79	3
80-89	1
90-99	0
Unknown	<u>0</u>
TOTAL	37

DEATHS DUE TO DRUGS/TOXIC SUBSTANCES

Heroin	19
Cocaine	5
Heroin and Cocaine	4
Tricyclic (Antidepressants)	10
Propoxyphene	4
Mixed Drugs	13
Barbiturates	1
Ethyl Alcohol	3
Carbon Monoxide	5
Other	<u>4</u>
TOTAL	68

NARCOTIC DEATHS



CRIME LABORATORY

<u>FIREARMS</u>	<u>1988</u>	<u>1989</u>	<u>1990</u>
TEST FIRINGS.....	1531	1673	1738
COMPARISONS.....	197	155	1186*
SERIAL NUMBER RESTORATIONS..	52	50	46

*Method of computation changed.

QUESTIONED DOCUMENTS

TOTAL CASES.....	119*	276	251
QUESTIONED DOCUMENTS.....	1626*	3292	5966
LATENT FINGERPRINTS.....	--	66	34

*No document examiner for 6 months.

SEROLOGY

TOTAL CASES.....	1245	468*	993
TOTAL ITEMS.....	4107	2146*	7194
TOTAL TESTS.....	11,528	6236*	24,101

*No serologist for 6 months; change in computation method.

SEIZED DRUGS IDENTIFICATION

TOTAL CASES.....	4753	3070	2401
TOTAL TESTS.....	11,910	15,380	12,052
TOTAL DRUGS DESTROYED.....	2897	4016	5076

TOXICOLOGY WORKLOAD

	<u>CASES</u>	<u>TESTS</u>
1988	1612	8195
1989	2270	8181
1990	2197	9017

INSTRUMENTAL BREAKDOWN OF TESTS

	GC/MS	GC	TLC	UV	FAA	ENZYME	COLOR	OTHER
1988	487	3805	--	--	148	1964	1472	319
1989	1619	3971	--	94	248	1930	1	41
1990	682	4511	--	48	401	3217	0	158

SPECIFIC TOXICOLOGY TESTS PERFORMED

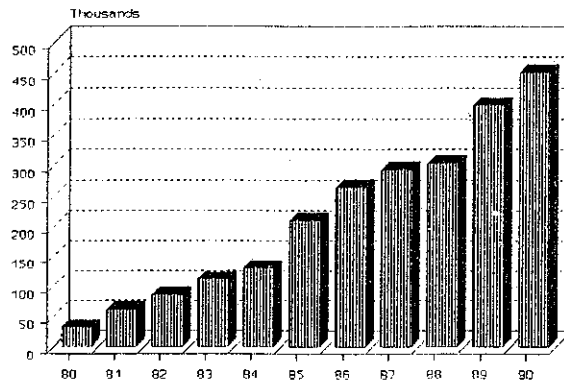
	<u>1988</u>	<u>1989</u>	<u>1990</u>
Alcohols	1940	2282	2879
Alkaline Drug Screen	1865	2188	1632
Acid/Neutral Drug Screen	250	655	34
Narcotic Screen	340	554	565
CO	91	94	48
SMA6	88	62	79
Volatiles	37	16	13
THC	110	71	70
Blood Typing	111	39	0
Cultures	4	0	0
GS/Residue	148	248	401
Enzyme tests	1714	1930	3217
Spot tests	1472	1	0
Other	<u>25</u>	<u>41</u>	<u>79</u>
TOTAL	8195	8181	9017

BUDGET

FISCAL YEAR

1985.....	\$1,047,978
1986.....	\$1,184,283
1987.....	\$1,147,938
1988.....	\$1,230,221
1989.....	\$1,482,292
1990.....	\$1,628,699
1991.....	\$1,771,696

INCOME OF OFFICE



YEAR

1980.....	\$30,378
1981.....	\$59,318
1982.....	\$84,658
1983.....	\$109,863
1984.....	\$128,214
1985.....	\$208,421
1986.....	\$262,932
1987.....	\$292,213
1988.....	\$302,449
1989.....	\$396,865
1990.....	\$449,273